

Alternating and direct current impulse FLASHERS and SPELLERS.

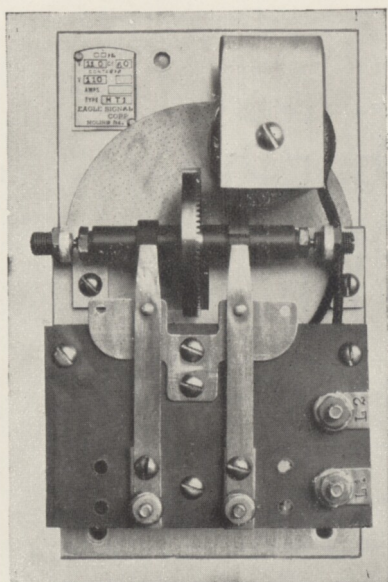


Fig. 1 Two Contact Flasher 8 amps.

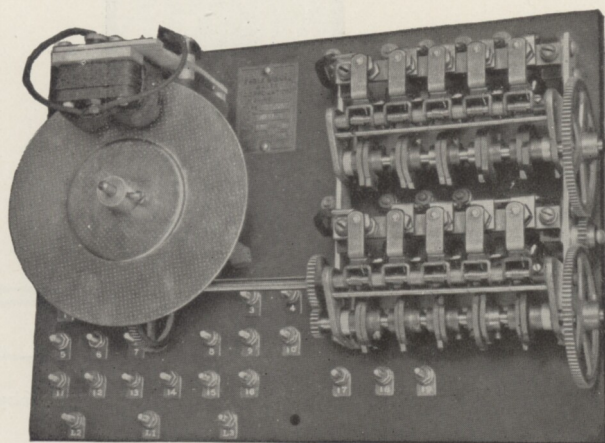


Fig 2. Ten Contact Speller.

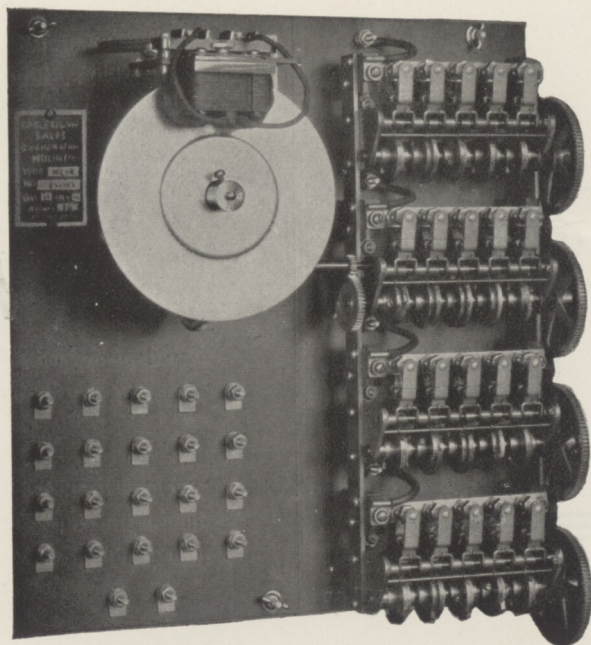


Fig. 3. Twenty Contact Speller.

We manufacture a complete line of impulse driven alternating or direct current flashers and spellers for dealing with loads of from 10 amperes to 250 amperes.

Fig. 1, shows the standard double contact flasher for dealing with small loads.

Other flashers driven in a similar manner are manufactured for loads from 10 amperes to 250 amperes.

Figs. 2 and 3 show the impulse driven spellers and these are made for loads from 10 to 50 amperes on each contact.

The saving in the cost of current by substituting flashing and spelling lights for continuous lights is obvious, and by the use of flashers and spellers the current consumption is reduced 25% to 75%

THE FOREST CITY ELECTRIC CO., LIMITED.

4, LONGFORD ROAD, STRETFORD, MANCHESTER.

Telegrams: "ROLLDROP," Manchester.

Telephone: Longford 2275

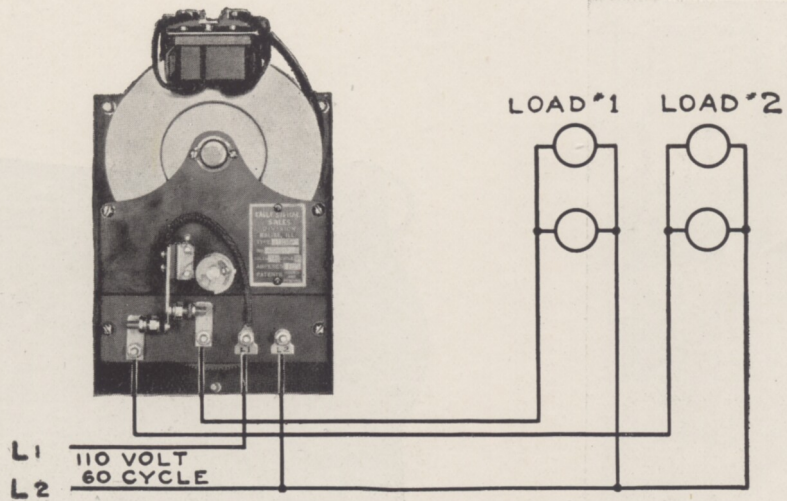
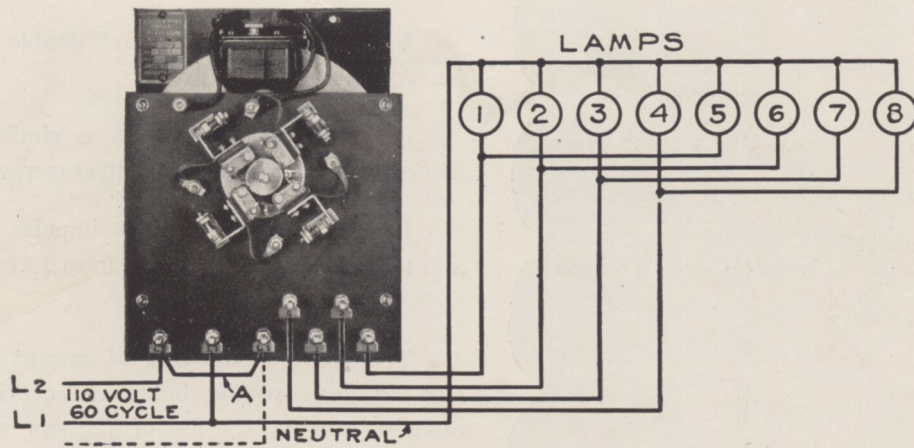


Fig. 4 shows an arrangement whereby two circuits are illuminated.



For 220 volts-3 wire remove "A" and run third side of line to "L3" as shown by dotted line.

Fig. 5 shows an arrangement whereby eight circuits are connected to a multiple flasher.